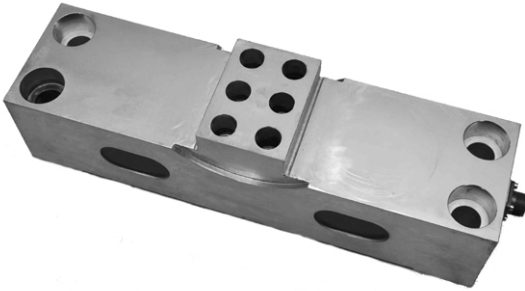


Double Ended Shear Beam



DESCRIPTION

The model DSA-R is a low profile double shear beam load cell, ideally suited for applications in harsh environments.

Due to the special design, the DSA-R load cell is insensitive against side loading and other interfering effects.

Because of the high operating temperature range of -40 up to +150°C, the DSA-R load cell is suitable for use in steel mills and foundries.

Very easy to maintain – cable will be connected via plug-and-socket connection.

Due to the high repeatability and high long-term stability, the load cell supplies very good results, even after perennial use.

IP65 gives an excellent protection against dust and moisture.

FEATURES

- Capacity 50t, 100t, 150t and 200t
- Other capacities on request
- Low profile
- High long-term stability and repeatability
- Operating temperature range -40 to +150°C
- Connection through a connector
- 15m special cable with connector for direct connecting to the load cell
- Zinc-plated steel
- 6-wire circuit (6 + 2 wires with option temperature monitoring)
- IP65

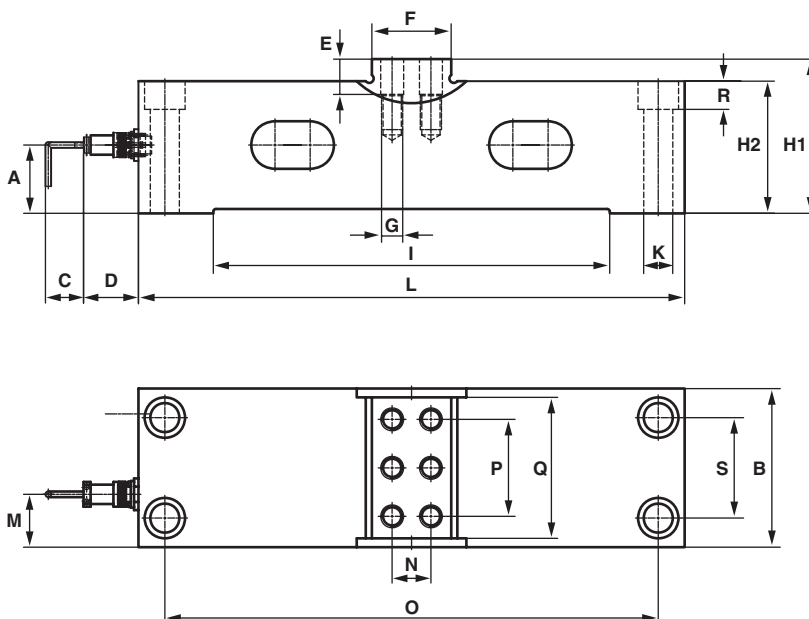
OPTIONS

- Temperature monitoring via integrated temperature sensor (2-wire circuit)
- Indicator which change the color if a too high temperature was reached

APPLICATIONS

- Silo and hopper weighing
- Tundish weighing
- Various applications in steel mills and foundries
- Industrial applications

OUTLINE DIMENSIONS in millimeters



Dim.	50t	100t	150t	200t
A	45	54	66	75
B	120	140	160	180
C	≥40	≥40	≥40	≥40
D	120	120	120	120
E	32	38	38	40
F	80	90	90	90
G	M20x30	M24x36	M24x36	M24x40
H1	130	143	158	175
H2	105	118	133	150
I	340	370	410	450
K	26	30	33	33
L	450	500	560	620
M	57	62	69	76
N	40	44	44	44
O	398	444	500	560
P	75	90	102	110
Q	110	130	150	160
R	26	29	32	32
S	68	80	94	114

SPECIFICATIONS					
PARAMETER	VALUE				UNIT
Rated capacity (R.C.)	50	100	150	200	t
Rated output (C)	1.0				mV/V
Total error	0.1				± % of C
Creeping (30 min)	0.05				± % of C
Temperature effect: on zero	0.005				± % of C/°C
Temperature effect: on output	0.003				± % of C/°C
Nominal temperature range	-10 to +100				°C
Operating temperature range	-40 to +150				°C
Storage temperature range	-50 to +180				°C
Safe overload	100				% of R.C.
Ultimate overload	>350				% of R.C.
Max. admissible side load	100				% of R.C.
Recommended excitation	10				V DC or AC
Max. supply voltage	36				V DC or AC
Input impedance	750±15				Ω
Output impedance	700±10				Ω
Insulation impedance	>2000				MΩ
Construction	steel, zinc-plated				
Weight	40	56	87	119	kg
Environmental protection	IP65				

Due to Vishay's policy of continuous development, these specifications are subject to change without notice.